

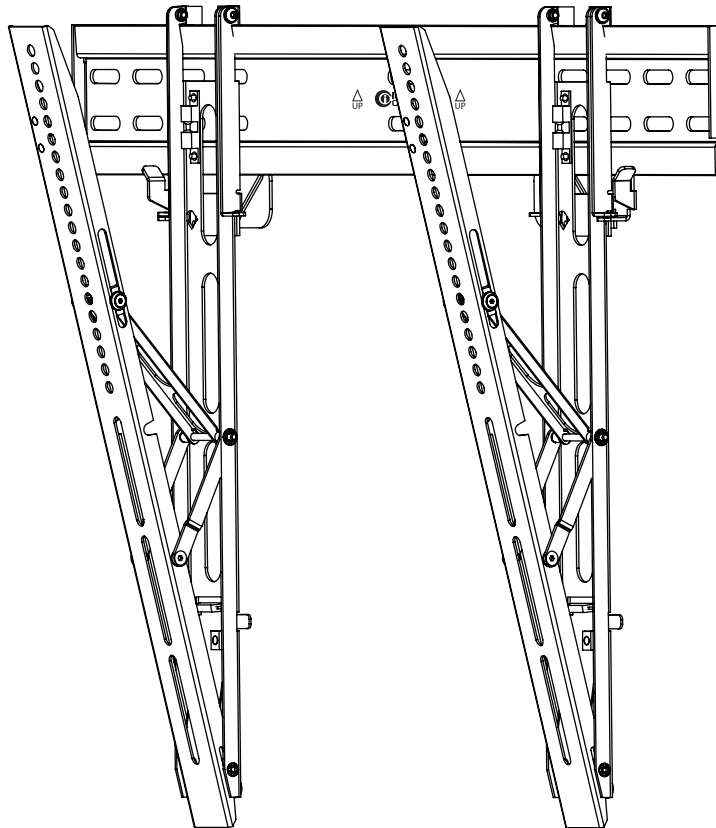
Installer's Choice™

by IMS EP

Universal Wall Mounts

for
Flat-Panel Displays

Installation Instructions for Models
IC32T - IC32F - IC60T - IC60F



Part Number	Load Rating	Flat Panel Display Size
IC32T (Thin Mount - Tilt)	100 Lbs. Max	23" to 32" Flat Panel Displays
IC32F (Thin Mount - Fixed)		
IC60T (Thin Mount - Tilt)		37" to 60" Flat Panel Displays
IC60F (Thin Mount - Fixed)		

Installer's Choice™ by IMS EP - 1 Innovation Dr., Des Plaines, IL 60016
Ph. (847) 391-8100 • Fax (847) 391-8354 • www.installerschoice.com

Designed & Manufactured in the U.S.A
ISO9001 Quality

Please read **INSTALLERS CHOICE™** Wall Mount Instructions **BEFORE** Installation

Thank you for choosing an INSTALLER'S CHOICE™ Wall Mount. This product has been specifically designed to mount and secure flat panel televisions off the wall – providing proper flat panel display viewing angles.



Do not use this product for any purpose not explicitly specified by Installer's Choice™.

The size and weight of your Flat Panel Display must not exceed the stated weight loads established for each Installer's Choice™ model (see cover page).

Failure to comply with these requirements could result in serious injury or property damage. If you do not understand these directions, or have doubts about the safety of the installation, contact Installer's Choice™ Customer Service @ 847-391-8100.

Installer's Choice™ is not liable for damage/injury caused by incorrect mounting, assembly, or use.

Supplied Parts and Instructions

Before starting installation, please read ALL instructions carefully. Verify all parts are included and undamaged. If any parts are missing or damaged, do not return the item to your dealer/installer-contact Installer's Choice™ Customer Service @ 847-391-8100.

Tools Required

Level	Drill	Hammer
Pencil	Socket Wrench	Optional: Stud Finder
Tape Measure	Screw Driver (Philips)	

Installation Hardware

ALL necessary hardware to install your Flat Panel Display mount has been provided from Installer's Choice™. This includes mounting hardware for Concrete, Brick, Concrete Block and Wood Stud walls. Please see the hardware packet included in the internal packaging of this box.

Disclaimer

While Installer's Choice™ /IMS Engineered Products makes reasonable efforts to include accurate and up-to-date information on its Wall Mount Assembly Instructions, it makes no warranties or representations as to its accuracy. Information in this Instruction Manual may contain technical inaccuracies or typographical errors and may be changed or updated without notice. IMSEP may also make improvements and/or changes in the products and/or the programs described at any time without notice. IMSEP assumes no liability or responsibility for any typographical or other errors or omissions in the content in this installation manual.

Limitation of Liability

Installer's Choice™ disclaims any responsibility for loss of time or use of parts or equipment wherein Installer's Choice™ mounts, racks, components and accessories are used, transportation of any other incidental or consequential damage; and any implied warranty of merchantability and fitness for intended use are limited to the duration of this limited warranty. All product warranties are limited to material and workmanship.

Warranty

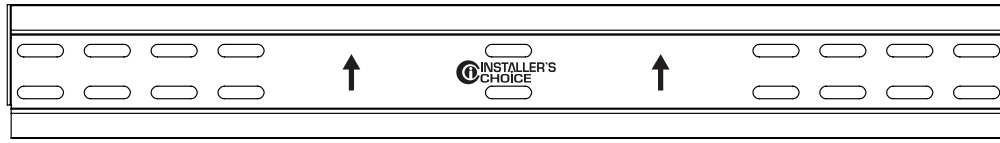
This warranty is provided in goodwill and extends only to the original purchaser of the IMS EP Installer's Choice product – it is non-transferable. This warranty is automatically void if your Installer's Choice™ product is modified in any way - improperly installed, extended beyond its stated weight capacity or otherwise misused or abused. This warranty cannot be transferred over or extended to anyone other than the initial purchaser. The 5 Year Warranty for all mount and related mount products is void if the mount is moved from its initial installation.

To the absolute maximum extent permitted by applicable law, Installer's Choice™ disclaims any other warranties, express or implied, including warranties of fitness for a particular purpose and warranties of merchantability. Installer's Choice™ will not be liable for any damages whatsoever - arising out of the use or inability to use its products, even if Installer's Choice™ has been advised of the possibility of such damages. To the maximum extent permitted by applicable law, Installer's Choice™ disclaims any responsibility for incidental or consequential damages.

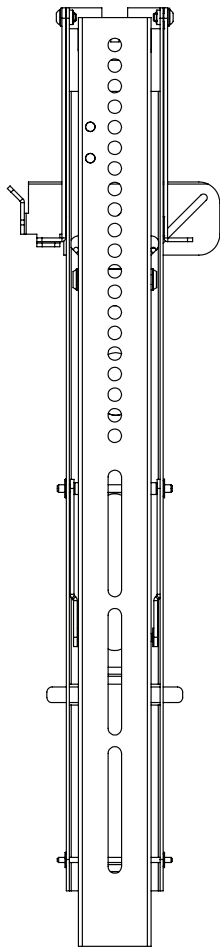
TOOLS REQUIRED			
A			B
	D 	E 	F
G 	H Ø 3/8" 	I Ø 5/32" 	J

MOUNTING HARDWARE

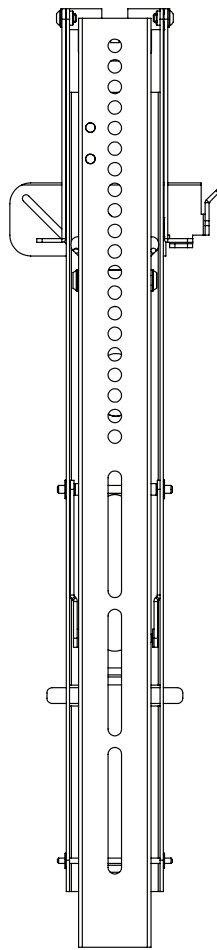
- | | |
|---|--|
| <p>1 M4 LOCK WASHER (4)</p> <p>2 M4 X 12 (4)</p> <p>3 M4 X 25 (4)</p> <p>4 M4 X 40 (4)</p> <p>5 M6 LOCK WASHER (4)</p> <p>6 M6 X 12 (4)</p> <p>7 M6 X 25 (4)</p> <p>8 M6 X 40 (4)</p> <p>9 NYLON TWIST ANCHOR (4)</p> <p>10 4MM HEX DRIVER (1)</p> <p>11 # 8 WASHER (4)</p> <p>12 # 8-32 X 1/2" SCREW (2)</p> | <p>13 M5 LOCK WASHER (4)</p> <p>14 M5 X 12 (4)</p> <p>15 M5 X 25 (4)</p> <p>16 M5 X 40 (4)</p> <p>17 M8 LOCK WASHER (4)</p> <p>18 M8 X 12 (4)</p> <p>19 M8 X 25 (4)</p> <p>20 M8 X 40 (4)</p> <p>21 1/4" X 2-3/8" WALL PLATE BOLT (4)</p> <p>22 1/4" LONG SPACER (4)</p> <p>23 5/8" LONG SPACER (4)</p> <p>24 3/4" LONG SPACER (4)</p> |
|---|--|



Ⓐ
1X

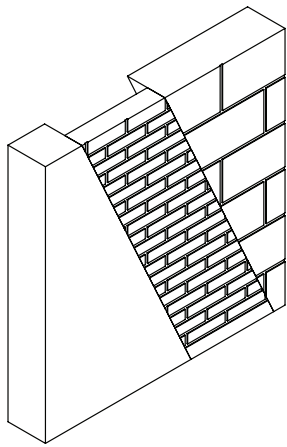


Ⓑ
1X

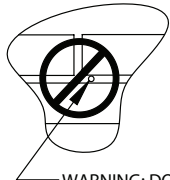


Ⓒ
1X

INSTALL WALL PLATE

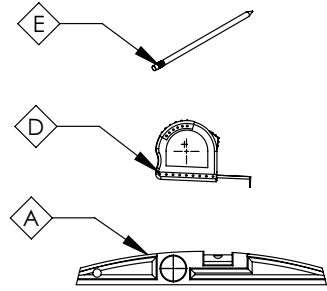
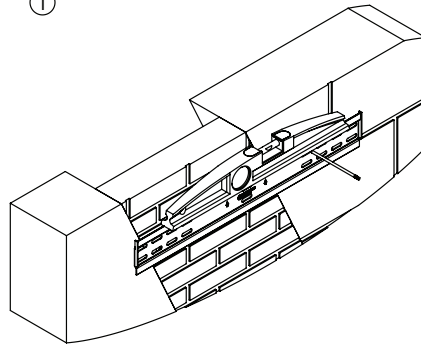


CONCRETE, BRICK OR
CONCRETE BLOCK WALL
CONSTRUCTION

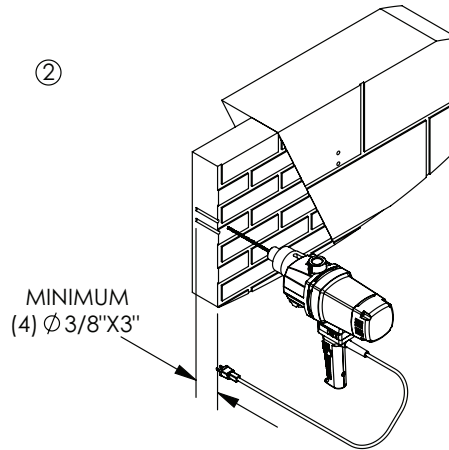


WARNING: DO NOT
DRILL INTO MORTAR JOINT

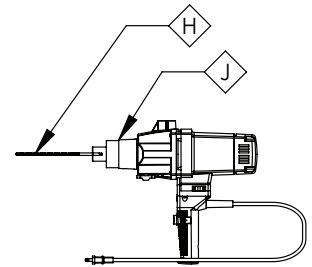
①



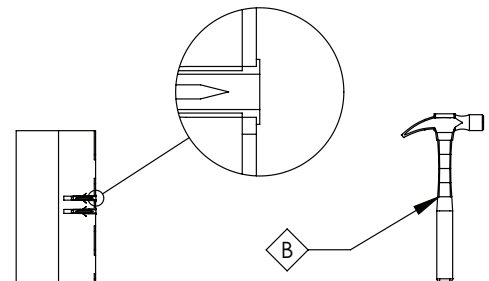
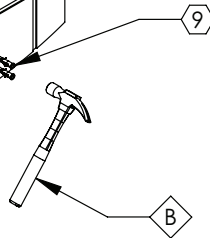
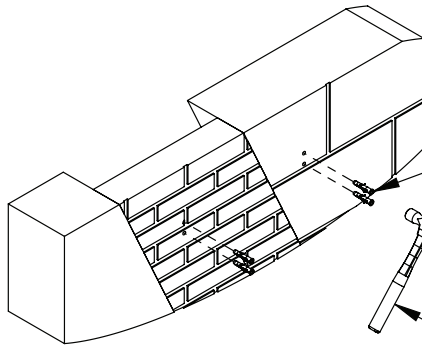
②



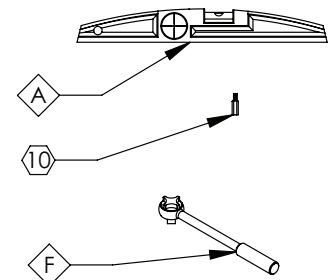
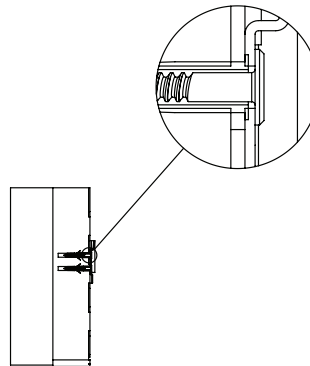
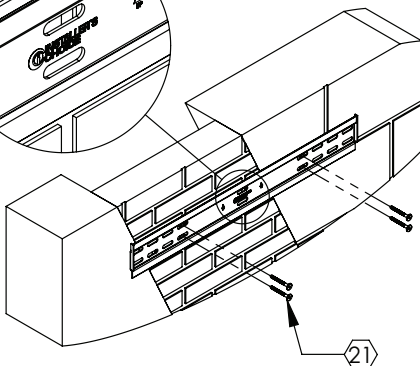
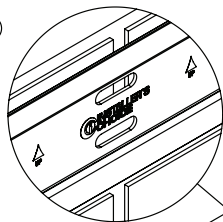
MINIMUM
(4) $\varnothing 3/8"$ X 3"

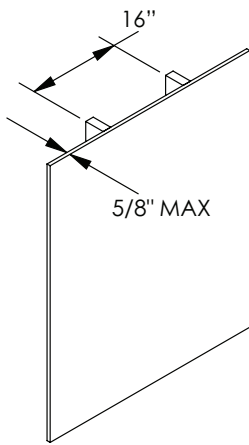


③



④

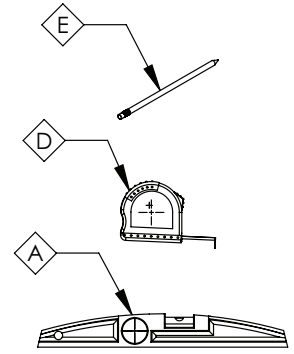
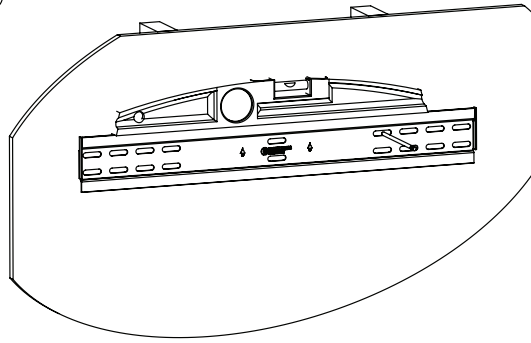




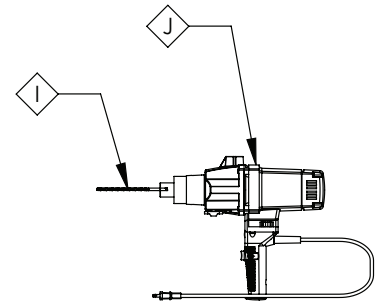
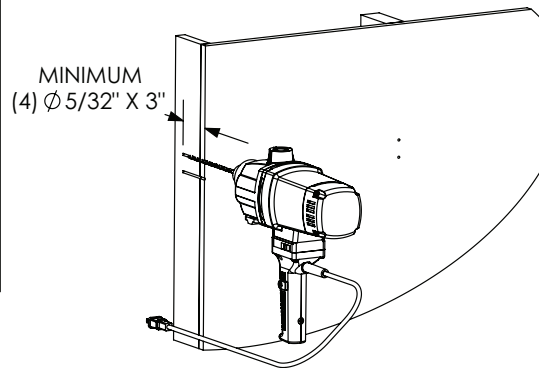
2X4 OR 2X6 WOOD STUD
AND DRYWALL CONSTRUCTION

INSTALL WALL PLATE

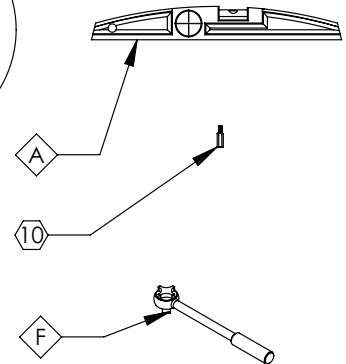
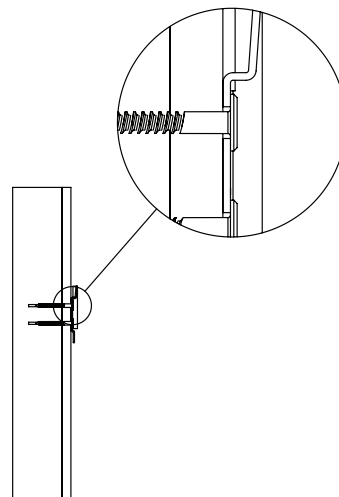
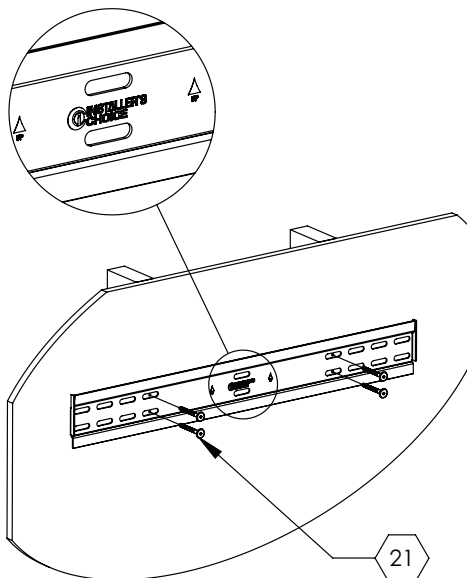
①



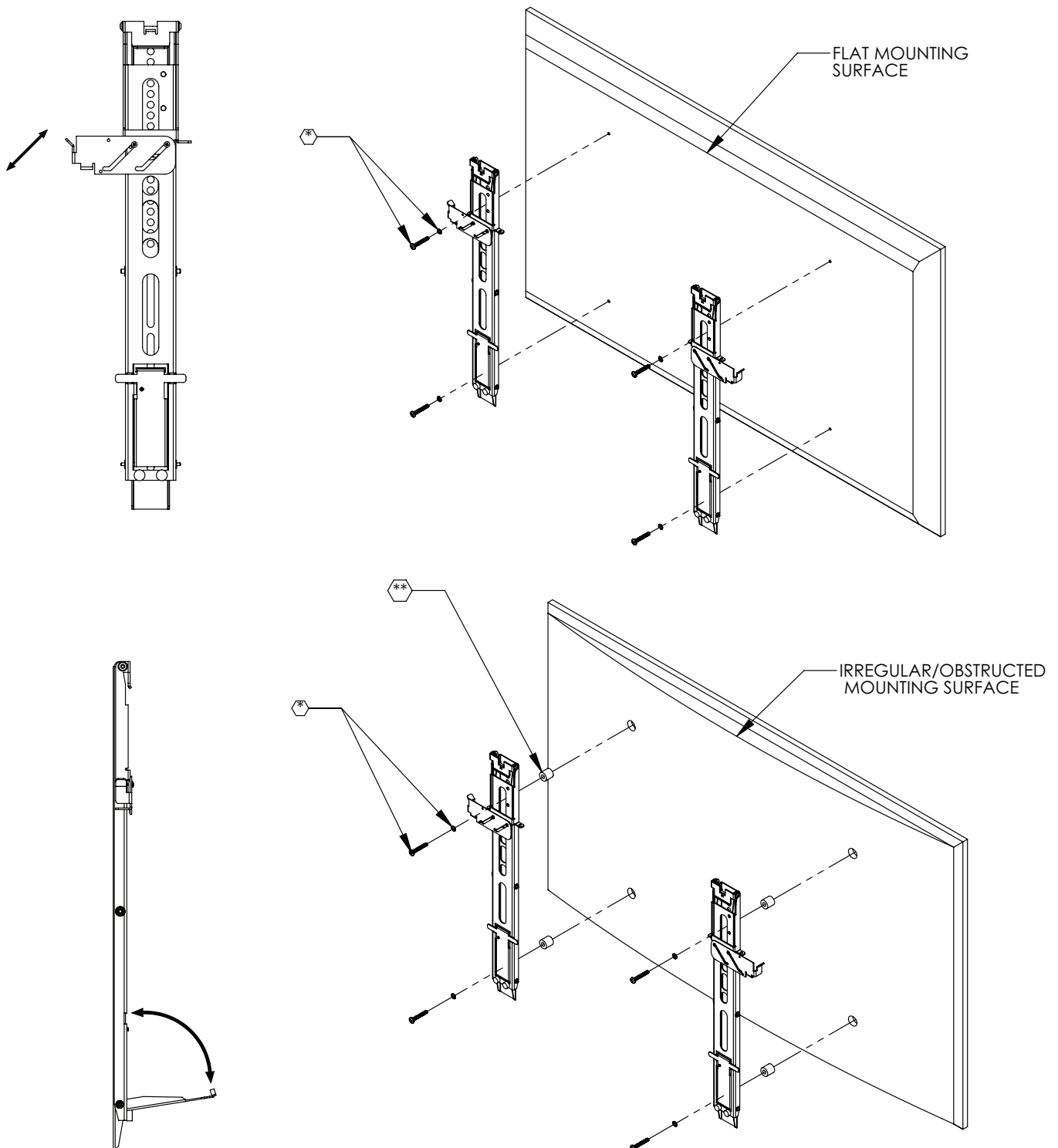
②



③



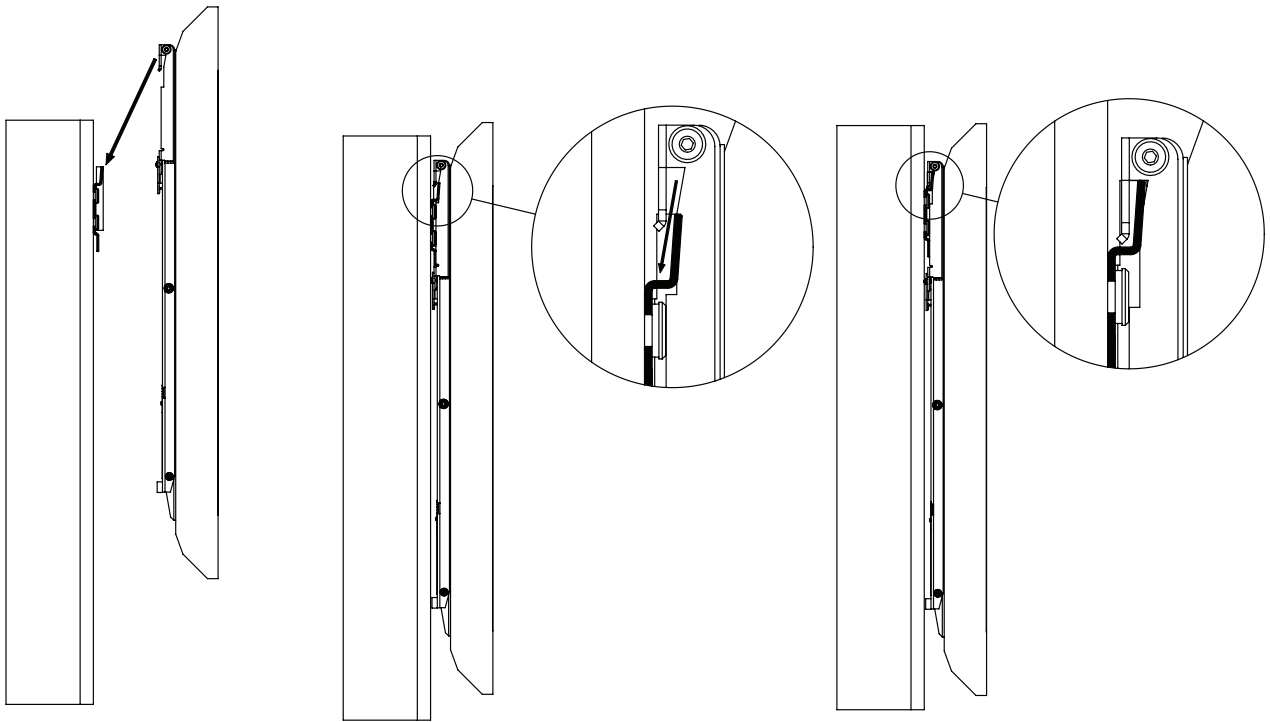
ATTACH ARMS



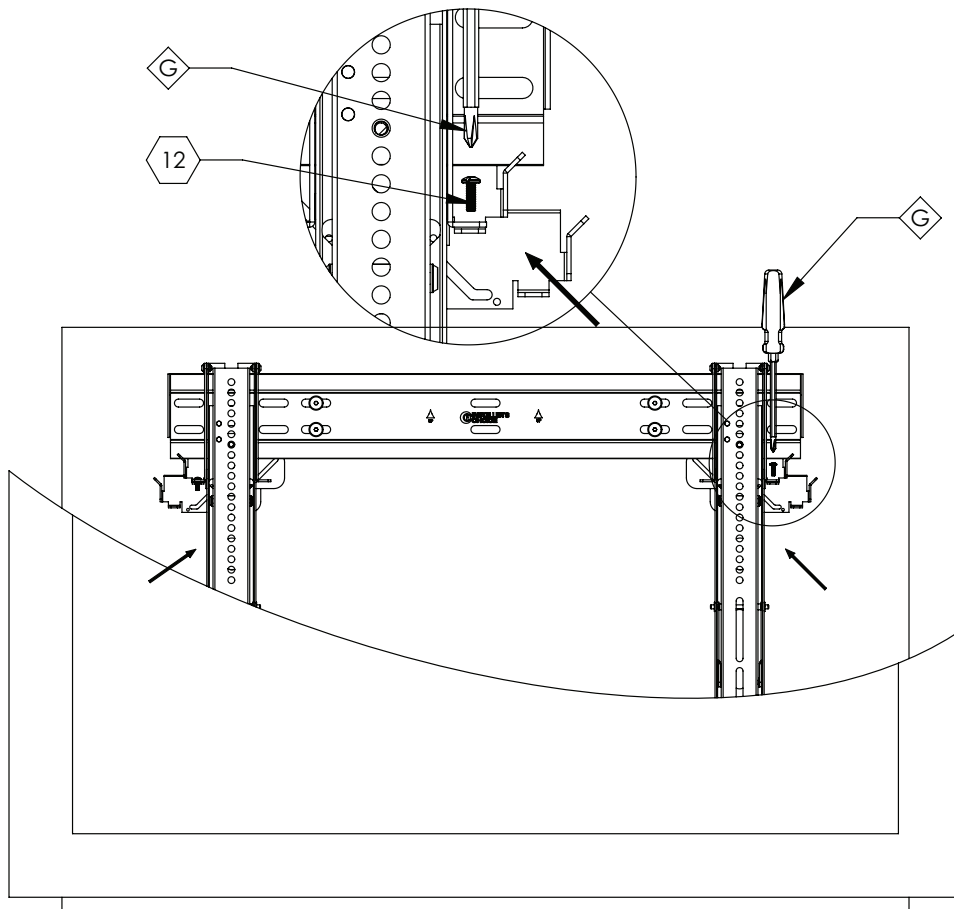
* HARDWARE MUST BE SELECTED FROM ITEMS 1-8 AND 13-20 ON PAGE 3 IN THE MOUNTING HARDWARE SECTION. CARE MUST BE TAKEN IN CHOOSING HARDWARE COMPATIBLE WITH YOUR FLAT PANEL DISPLAY, OR RISK CAUSING DAMAGE!!!

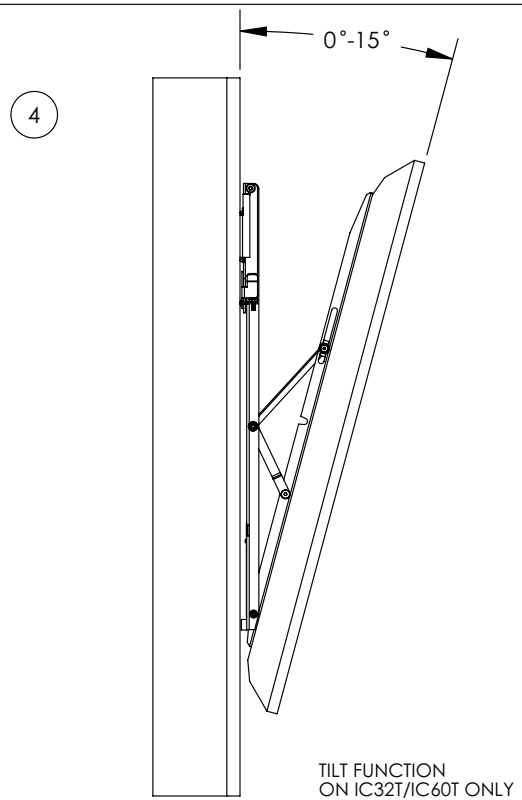
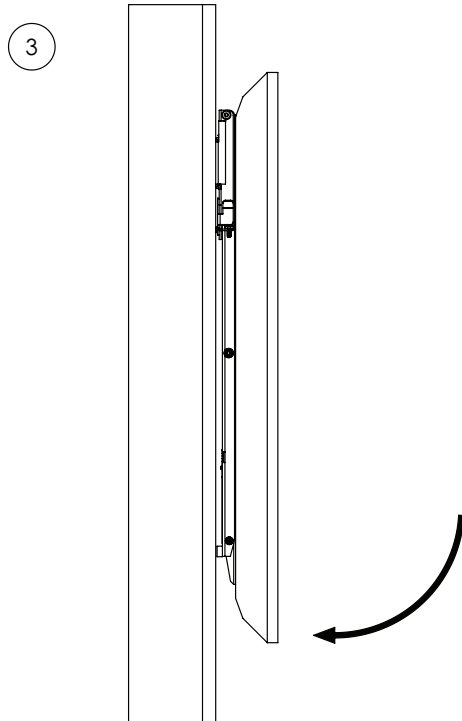
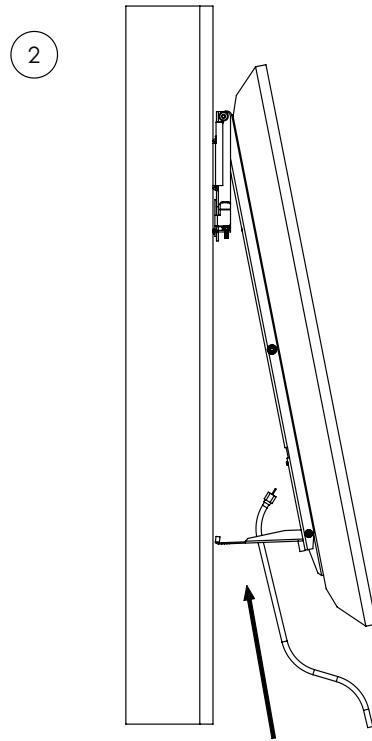
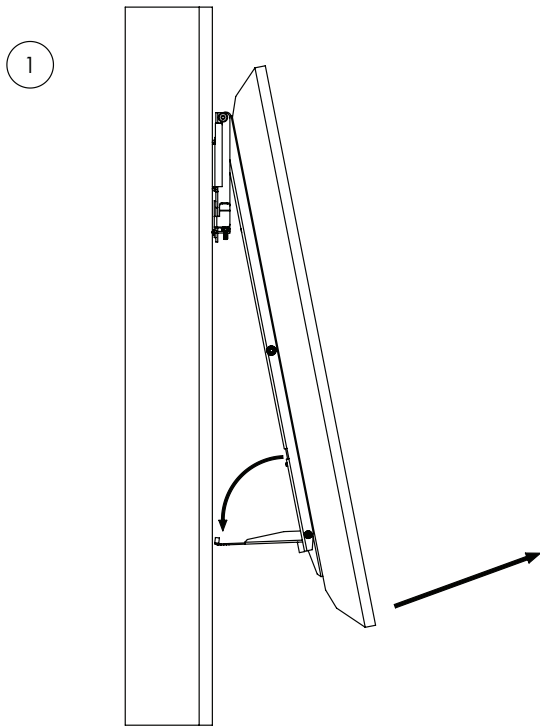
** SPACER MUST BE CHOSEN FROM ITEMS 22-24

①



②





Installer's Choice™ by IMS EP Designed & Manufactured in the U.S.A.

1 Innovation Drive • Des Plaines, IL 60016
Ph. (847) 391-8100 • Fax (847) 391-8354 • www.installerschoice.com